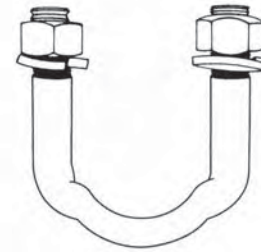


**U-Joint to Strap Kit and U-Bolt List**

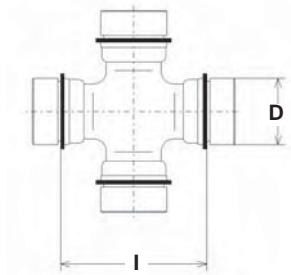
| <b>U-Joint</b> | <b>CAP DIA.</b> | <b>Fits Strap Kit</b> | <b>Fits U-BOLT</b> |
|----------------|-----------------|-----------------------|--------------------|
| 210-0134       | 1.063           | 260-0153 / 260-0443   | 260-0121           |
| 210-0153       | 1.063           | 260-0153 / 260-0443   | 260-0121           |
| 210-0160       | 1.188           | 260-0160 / 260-4178   | 260-0178           |
| 210-0178       | 1.188           | 260-0160 / 260-4178   | 260-0178           |
| 210-0213       | 1.063           | 260-0153 / 260-0443   | 260-0121           |
| 210-0248       | 1.063           | 260-0153 / 260-0443   | 260-0121           |
| 210-0260       | 1.063           | 260-0153 / 260-0443   | 260-0121           |
| 210-0278       | 1.063           | 260-0153 / 260-0443   | 260-0121           |
| 210-0297       | 1.188           | 260-0160 / 260-4178   | 260-0178           |
| 210-0332       | 1.375           | 260-0188              | 260-0155           |
| 210-0350       | 1.063           | 260-0153              | 260-0121           |
| 210-0443       | 1.063           | 260-0153 / 260-0443   | 260-0121           |
| 210-0447       | 1.188           | 260-0160 / 260-4178   | 260-0178           |
| 210-0456       | 1.063           | 260-0153 / 260-0443   | 260-0121           |
| 210-1200       | 1.063           | 260-0153 / 260-0443   | 260-0121           |
| 210-1201       | 1.063           | 260-0153 / 260-0443   | 260-0121           |
| 210-1201       | 1.125           | 260-4105              | 260-1204           |
| 210-1202       | 1.063           | 260-0153 / 260-0443   | 260-0121           |
| 210-1203       | 1.063           | 260-0153 / 260-0443   | 260-0121           |
| 210-1204       | 1.063           | 260-0153 / 260-0443   | 260-0121           |
| 210-1204       | 1.125           | 260-4105              | 260-1204           |
| 210-1205       | 1.188           | 260-0160 / 260-4178   | 260-0178           |
| 210-1206       | 1.188           | 260-0160 / 260-4178   | 260-0178           |
| 210-1210       | 1.375           | 260-0188              | 260-0155           |
| 210-1214       | 1.375           | 260-0188              | 260-0155           |
| 210-1306       | 1.078           | 260-0266              | ---                |
| 210-1309       | 1.125           | 260-4105              | 260-1204           |
| 210-2140       | 1.063           | 260-0153 / 260-0443   | 260-0121           |
| 210-2173       | 1.125           | 260-4105              | 260-1204           |
| 210-2500       | 1.125           | 260-4105              | 260-1204           |
| 210-2530       | 1.063           | 260-0153 / 260-0443   | 260-0121           |
| 210-2530       | 1.125           | 260-4105              | 260-1204           |
| 210-3008       | 1.125           | 260-4105              | 260-1204           |
| 210-3105       | 1.125           | 260-4105              | 260-1204           |
| 211-1306       | 1.078           | 260-0266              | ---                |
| 215-0269       | 1.063           | 260-0153              | 260-0121           |
| 215-0299       | 1.188           | 260-0160 / 260-4178   | 260-0178           |
| 220-0046       | 1.063           | 260-0153 / 260-0443   | 260-0121           |
| 220-0062       | 1.375           | 260-0188              | 260-0155           |
| 220-0456       | 1.188           | 260-0160 / 260-4178   | 260-0178           |
| 220-1100       | 1.063           | 260-0153 / 260-0443   | 260-0121           |
| 230-0085       | 1.937           | 260-0280              | ---                |
| 230-0155       | 1.375           | 260-0188              | 260-0155           |
| 230-0188       | 1.375           | 260-0188              | 260-0155           |
| 230-0279       | 1.875           | 260-0279              | ---                |
| 230-0280       | 1.937           | 260-0280              | ---                |
| 230-0281       | 1.937           | 260-0280              | ---                |
| 230-0328       | 1.375           | 260-0188              | 260-0155           |
| 230-0407       | 1.937           | 260-0280              | ---                |
| 230-0558       | 1.875           | 260-0279              | ---                |



**U-Joint to Strap Kit and U-Bolt List (Continued)**

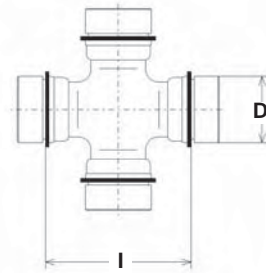
| U-Joint  | CAP DIA. | Fits Strap Kit      | Fits U-BOLT |
|----------|----------|---------------------|-------------|
| 230-0560 | 1.937    | 260-0280            | ---         |
| 230-0562 | 1.937    | 260-0280            | ---         |
| 230-0814 | 1.937    | 260-0280            | ---         |
| 230-0998 | 1.125    | 260-4105            | 260-1204    |
| 230-3012 | 1.125    | 260-4105            | 260-1204    |
| 230-4014 | 1.125    | 260-4105            | 260-1204    |
| 230-4015 | 1.125    | 260-4105            | 260-1204    |
| 230-4016 | 1.125    | 260-4105            | 260-1204    |
| 230-4156 | 1.125    | 260-4105            | 260-1204    |
| 240-0231 | 1.063    | 260-0153 / 260-0443 | 260-0121    |
| 240-0231 | 1.125    | 260-4105            | 260-1204    |
| 240-0324 | 1.937    | 260-0280            | ---         |
| 240-0353 | 1.063    | 260-0153 / 260-0443 | 260-0121    |
| 240-0353 | 1.078    | 260-0266            | ---         |
| 240-0354 | 1.063    | 260-0153 / 260-0443 | 260-0121    |
| 240-0354 | 1.125    | 260-4105            | 260-1204    |
| 240-0356 | 1.063    | 260-0153 / 260-0443 | 260-0121    |
| 240-0356 | 1.125    | 260-4105            | 260-1204    |
| 240-0358 | 1.063    | 260-0153 / 260-0443 | 260-0121    |
| 240-0358 | 1.188    | 260-0160 / 260-4178 | 260-0178    |
| 240-0359 | 1.063    | 260-0153 / 260-0443 | 260-0121    |
| 240-0359 | 1.125    | 260-4105            | 260-1204    |
| 240-0362 | 1.125    | 260-4105            | 260-1204    |
| 240-0369 | 1.078    | 260-0266            | ---         |
| 240-0369 | 1.125    | 260-4105            | 260-1204    |
| 240-0447 | 1.125    | 260-4105            | 260-1204    |
| 240-0447 | 1.188    | 260-0160 / 260-4178 | 260-0178    |
| 240-0448 | 1.063    | 260-0153 / 260-0443 | 260-0121    |
| 240-0448 | 1.188    | 260-0160 / 260-4178 | 260-0178    |
| 240-0457 | 1.063    | 260-0153 / 260-0443 | 260-0121    |
| 240-0457 | 1.078    | 260-0266            | ---         |
| 240-1201 | 1.078    | 260-0266            | ---         |
| 240-1201 | 1.125    | 260-4105            | 260-1204    |
| 240-1301 | 1.188    | 260-0160 / 260-4178 | 260-0178    |
| 250-0070 | 1.063    | 260-0153 / 260-0443 | 260-0121    |
| 250-0080 | 1.063    | 260-0153 / 260-0443 | 260-0121    |
| 250-0110 | 1.188    | 260-0160 / 260-4178 | 260-0178    |
| 250-0120 | 1.188    | 260-0160 / 260-4178 | 260-0178    |
| 250-0170 | 1.375    | 260-0188            | 260-0155    |
| 250-0818 | 1.375    | 260-0188            | 260-0155    |
| 250-1200 | 1.063    | 260-0153 / 260-0443 | 260-0121    |
| 250-1400 | 1.125    | 260-4105            | 260-1204    |
| 250-1401 | 1.125    | 260-4105            | 260-1204    |
| 260-0358 | 1.375    | 260-0188            | 260-0155    |
| 260-0460 | 1.625    | 240-0460            |             |

**Note:** 260-0160 Hole to Hole dim. 1.81" - 5/16 x 3/4" x 24 Thread Bolt  
 260-4178 Hole to Hole dim. 1.66" - 5/16 x 1-5/16" x 24 Thread Bolt  
 260-0153 Hole to Hole dim. 1.59" - 5/16 x 1-5/16" x 24 Thread Bolt  
 260-0443 Hole to Hole dim. 1.59" - 1/4 x 5/8" x 28 Thread Bolt



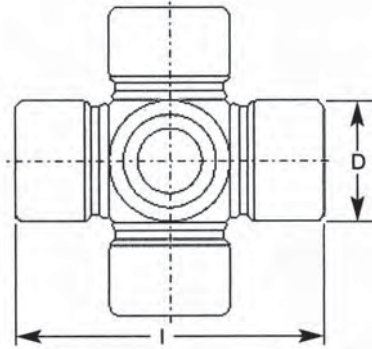
### 4 Grooved Bearing

| Part No. | Cap Dim. | Yoke Span | Grease fitting in | G/F Type         | Note            |
|----------|----------|-----------|-------------------|------------------|-----------------|
|          | D        | I         |                   |                  |                 |
| 220-0028 | 0.788    | 1.496     | end of cap        | Regular          | ---             |
| 220-0010 | 0.886    | 1.492     | end of cap        | Regular          | ---             |
| 251-1500 | 0.938    | 1.485     | center of cross   | Angled           | ---             |
| 251-1502 | 0.938    | 1.485     | end of cap        | Regular          | ---             |
| 210-0170 | 0.938    | 1.500     | center of cross   | Angled           | ---             |
| 211-0170 | 0.938    | 1.500     | end of cap        | Regular          | ---             |
| 220-1501 | 0.968    | 1.688     | center of cross   | Angled           | ---             |
| 250-0600 | 0.969    | 1.448     | center of cross   | Angled           | ---             |
| 250-0601 | 0.969    | 1.448     | cap&cross         | Regular & Angled | ---             |
| 220-0001 | 0.984    | 1.591     | center of cross   | Angled           | ---             |
| 220-0007 | 0.984    | 1.717     | end of cap        | Regular          | ---             |
| 220-0027 | 0.984    | 1.732     | end of cap        | Regular          | ---             |
| 210-0105 | 1.000    | 1.719     | end of cap        | Regular          | ---             |
| 210-2011 | 1.000    | 2.344     | Cross             | Regular          | ---             |
| 220-0013 | 1.024    | 1.843     | end of cap        | Regular          | ---             |
| 220-0012 | 1.024    | 2.205     | Cross             | Mid long         | ---             |
| 220-0009 | 1.043    | 2.000     | end of cap        | Regular          | ---             |
| 210-0456 | 1.063    | 1.640     | No                | No               | ---             |
| 250-1200 | 1.063    | 1.818     | center of cross   | Angled           | ---             |
| 210-0260 | 1.063    | 2.189     | No                | No               | ---             |
| 215-0269 | 1.063    | 2.189     | end of cap        | Flush            | Standard        |
| 210-0350 | 1.063    | 2.344     | Cross             | Regular          | ---             |
| 210-1200 | 1.063    | 2.350     | Cross             | Regular          | ---             |
| 210-1203 | 1.063    | 2.781     | Cross             | Regular          | ---             |
| 220-0046 | 1.064    | 1.930     | No                | No               | ---             |
| 210-1306 | 1.078    | 2.125     | Cross             | Mid long         | ---             |
| 211-1306 | 1.078    | 2.125     | end of cap        | Mid long         | ---             |
| 213-1306 | 1.078    | 2.125     | center of cross   | Angled           | ---             |
| 214-1306 | 1.078    | 2.125     | No                | No               | ---             |
| 215-1306 | 1.078    | 2.125     | Cross             | Mid long         | ---             |
| 215-1307 | 1.078    | 2.125     | end of cap        | Mid long         | ---             |
| 220-7283 | 1.102    | 1.929     | No                | No               | ---             |
| 220-0029 | 1.102    | 2.209     | Cross             | Long             | ---             |
| 220-0006 | 1.102    | 2.323     | end of cap        | Regular          | ---             |
| 210-2500 | 1.125    | 2.125     | cap&cross         | Regular          | ---             |
| 210-3008 | 1.125    | 2.563     | No                | No               | ---             |
| 210-3105 | 1.125    | 2.563     | Cross             | Regular          | ---             |
| 214-3105 | 1.125    | 2.563     | No                | No               | ---             |
| 215-3105 | 1.125    | 2.563     | Cross             | Regular          | ---             |
| 210-1309 | 1.125    | 2.622     | Cross             | Regular          | ---             |
| 215-1309 | 1.125    | 2.622     | Cross             | Regular          | ---             |
| 230-4015 | 1.125    | 3.250     | Cross             | Regular          | ---             |
| 215-0355 | 1.125    | 3.799     | No                | No               | ---             |
| 214-0017 | 1.142    | 2.047     | No                | No               | ---             |
| 215-0021 | 1.142    | 2.047     | center of cross   | Angled           | Small Fitting   |
| 220-0021 | 1.142    | 2.047     | center of cross   | Angled           | Small Fitting   |
| 220-0023 | 1.142    | 2.047     | center of cross   | Angled           | Regular Fitting |
| 220-0052 | 1.142    | 2.087     | Cross             | Long             | ---             |



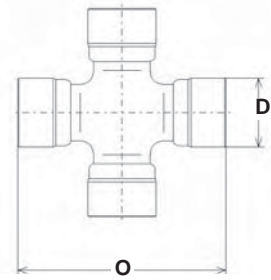
**4 Grooved Bearing (Continued)**

| Part No. | Cap Dim. | Yoke Span | Grease fitting in | G/F Type | Note             |
|----------|----------|-----------|-------------------|----------|------------------|
|          | D        | I         |                   |          |                  |
| 220-0411 | 1.142    | 2.853     | end of cap        | Regular  | ---              |
| 220-0093 | 1.181    | 2.287     | center of cross   | Angled   | ---              |
| 220-0412 | 1.181    | 2.925     | center of cross   | Angled   | ---              |
| 210-0297 | 1.188    | 2.187     | No                | No       | Standard         |
| 215-0298 | 1.188    | 2.187     | end of cap        | Regular  | High Performance |
| 215-0299 | 1.188    | 2.187     | end of cap        | Flush    | Standard         |
| 210-1205 | 1.188    | 2.563     | Cross             | Regular  | ---              |
| 210-1206 | 1.188    | 3.125     | Cross             | Regular  | ---              |
| 210-1300 | 1.230    | 2.000     | Cross             | Regular  | ---              |
| 210-1301 | 1.230    | 3.000     | Cross             | Regular  | ---              |
| 220-0020 | 1.260    | 2.520     | Cross             | Mid long | ---              |
| 250-4400 | 1.310    | 2.791     | center of cross   | Angled   | ---              |
| 250-4401 | 1.310    | 2.791     | end of cap        | Regular  | ---              |
| 230-5109 | 1.313    | 3.280     | Cross             | Regular  | ---              |
| 230-6008 | 1.313    | 4.313     | Cross             | Regular  | ---              |
| 250-0150 | 1.339    | 2.188     | center of cross   | Angled   | ---              |
| 210-0464 | 1.375    | 2.930     | Cross             | Regular  | ---              |
| 210-0332 | 1.375    | 3.000     | Cross             | Regular  | ---              |
| 230-0424 | 1.375    | 3.777     | Cross             | Regular  | ---              |
| 220-7300 | 1.496    | 2.451     | center of cross   | Angled   | ---              |
| 230-7008 | 1.625    | 4.375     | Cross             | Regular  | ---              |



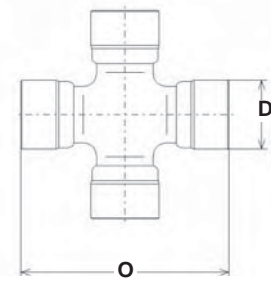
**Stake Type**

| Part No. | Cap Dim. | Yoke Span | Grease Fitting In | G/F Type | Note                          |
|----------|----------|-----------|-------------------|----------|-------------------------------|
|          | D        | O         |                   |          |                               |
| 220-0045 | 0.787    | 2.071     | No                | No       | w/o Snap Ring                 |
| 220-0024 | 0.866    | 2.220     | No                | No       | w/o Snap Ring                 |
| 220-0063 | 0.866    | 2.400     | No                | No       | w/ Round Plate, w/o snap ring |
| 220-1670 | 0.945    | 2.441     | No                | No       | w/o Snap Ring                 |
| 220-7284 | 0.945    | 2.929     | No                | No       | Center hole, w/o snap ring    |



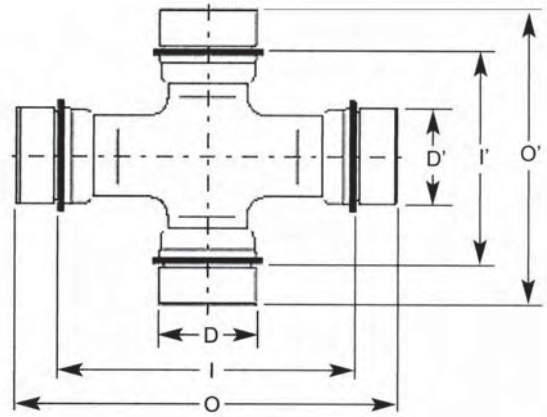
### 4 Plain Bearings

| Part No. | Cap Dim. | Yoke Span | Grease fitting in | G/F Type     | Note            |
|----------|----------|-----------|-------------------|--------------|-----------------|
|          | D        | O         |                   |              |                 |
| 220-0002 | 0.788    | 2.157     | end of cap        | Regular      | ---             |
| 220-0011 | 0.788    | 2.244     | end of cap        | Regular      | ---             |
| 250-0030 | 0.866    | 2.126     | center of cross   | Angled       | ---             |
| 250-0040 | 0.866    | 2.157     | center of cross   | Angled       | ---             |
| 250-0870 | 0.875    | 2.500     | end of cap        | Regular      | ---             |
| 250-0264 | 0.875    | 2.910     | center of cross   | Angled       | ---             |
| 220-0500 | 0.938    | 2.413     | Cross             | Mid long     | ---             |
| 220-0501 | 0.938    | 2.413     | No                | No           | ---             |
| 250-0050 | 0.938    | 2.413     | end of cap        | Angled       | ---             |
| 220-0410 | 0.945    | 2.488     | No                | No           | ---             |
| 220-0081 | 0.984    | 2.512     | end of cap        | Regular      | ---             |
| 220-0088 | 0.984    | 3.012     | No                | No           | ---             |
| 250-0265 | 1.005    | 3.910     | center of cross   | Angled       | ---             |
| 220-0191 | 1.024    | 2.748     | center of cross   | Angled       | ---             |
| 210-0443 | 1.063    | 2.439     | end of cap        | Regular      | ---             |
| 218-0443 | 1.063    | 2.439     | end of cap        | Flush        | ---             |
| 230-0409 | 1.063    | 2.650     | end of cap        | Regular      | ---             |
| 220-1100 | 1.063    | 2.937     | Cross             | Mid long     | ---             |
| 250-0080 | 1.063    | 2.937     | center of cross   | Angled       | ---             |
| 210-0153 | 1.063    | 3.220     | Cross             | Regular      | ---             |
| 210-0200 | 1.063    | 3.220     | Cross             | Regular      | ---             |
| 214-0153 | 1.063    | 3.220     | No                | No           | ---             |
| 218-0153 | 1.063    | 3.220     | Cross             | Flush        | ---             |
| 210-0278 | 1.063    | 3.220     | Cross             | Flush        | ---             |
| 210-0213 | 1.063    | 3.622     | Cross             | Regular      | ---             |
| 250-0070 | 1.064    | 2.756     | center of cross   | Angled       | ---             |
| 220-0014 | 1.122    | 3.067     | center of cross   | Angled       | ---             |
| 250-1401 | 1.126    | 2.624     | end of cap        | Regular      | ---             |
| 250-1400 | 1.126    | 2.624     | center of cross   | Angled       | ---             |
| 230-0471 | 1.181    | 4.193     | Cross             | Regular&Long | ---             |
| 230-0451 | 1.182    | 3.268     | No                | No           | ---             |
| 250-0110 | 1.188    | 3.150     | center of cross   | Angled       | ---             |
| 220-0456 | 1.188    | 3.228     | No                | No           | ---             |
| 210-0178 | 1.188    | 3.624     | Cross             | Regular      | 1.5mm Snap Ring |
| 211-0178 | 1.188    | 3.624     | Cross             | Regular      | 1.3mm Snap Ring |
| 210-0447 | 1.188    | 3.624     | No                | No           | ---             |
| 250-0120 | 1.188    | 3.624     | center of cross   | Angled       | ---             |
| 210-0160 | 1.188    | 4.185     | Cross             | Regular      | 1.5mm Snap Ring |
| 211-0160 | 1.188    | 4.185     | Cross             | Regular      | 1.3mm Snap Ring |
| 230-0004 | 1.250    | 4.063     | center of cross   | Angled       | Slotted Bearing |
| 250-3500 | 1.251    | 3.210     | center of cross   | Angled       | ---             |
| 250-3501 | 1.251    | 3.210     | end of cap        | Regular      | ---             |
| 250-0140 | 1.260    | 2.988     | center of cross   | Angled       | ---             |
| 220-2010 | 1.260    | 4.173     | Cross             | Regular      | ---             |
| 220-0066 | 1.300    | 3.661     | center of cross   | Angled       | ---             |
| 250-0818 | 1.375    | 3.701     | Cross             | Regular      | ---             |
| 230-0188 | 1.375    | 4.185     | Cross             | Regular      | 1.5mm Snap Ring |
| 231-0188 | 1.375    | 4.185     | Cross             | Regular      | 1.3mm Snap Ring |



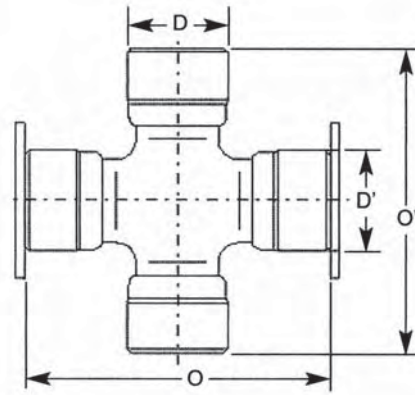
**4 Plain Bearings (Continued)**

| Part No. | Cap Dim. | Yoke Span | Grease fitting in | G/F Type | Note            |
|----------|----------|-----------|-------------------|----------|-----------------|
|          | D        | O         |                   |          |                 |
| 260-0358 | 1.375    | 4.185     | Cross             | Regular  | Thrust Plates   |
| 250-0170 | 1.375    | 4.185     | center of cross   | Angled   | ---             |
| 230-0155 | 1.375    | 4.965     | Cross             | Regular  | ---             |
| 210-1210 | 1.375    | 4.969     | Cross             | Regular  | Slotted Bearing |
| 220-0062 | 1.378    | 4.092     | center of cross   | Angled   | ---             |
| 220-0032 | 1.398    | 4.685     | center of cross   | Regular  | ---             |
| 250-0200 | 1.417    | 3.500     | center of cross   | Angled   | ---             |
| 250-5500 | 1.534    | 4.307     | center of cross   | Angled   | ---             |
| 210-1214 | 1.551    | 4.181     | Cross             | Regular  | ---             |
| 220-3500 | 1.563    | 4.565     | Cross             | Regular  | ---             |
| 220-0064 | 1.575    | 4.528     | center of cross   | Angled   | ---             |
| 250-0819 | 1.614    | 4.252     | center of cross   | Angled   | ---             |
| 250-0820 | 1.614    | 4.646     | center of cross   | Angled   | ---             |
| 240-0460 | 1.625    | 4.953     | center of cross   | Angled   | ---             |
| 230-0075 | 1.625    | 5.064     | center of cross   | Angled   | ---             |
| 230-0165 | 1.625    | 5.591     | Cross             | Regular  | ---             |
| 220-0465 | 1.773    | 4.740     | center of cross   | Angled   | ---             |
| 230-0006 | 1.935    | 5.130     | Cross             | Regular  | Slotted Bearing |
| 230-0085 | 1.938    | 5.934     | center of cross   | Angled   | ---             |
| 220-3820 | 1.970    | 6.016     | center of cross   | Angled   | ---             |
| 210-0315 | 1.970    | 6.457     | center of cross   | Angled   | ---             |
| 230-0007 | 2.000    | 5.937     | Cross             | Regular  | Slotted Bearing |
| 230-1880 | 2.186    | 8.092     | center of cross   | Angled   | ---             |
| 230-0170 | 2.362    | 6.417     | Cross             | Regular  | ---             |
| 230-0250 | 2.362    | 6.457     | Cross             | Regular  | ---             |



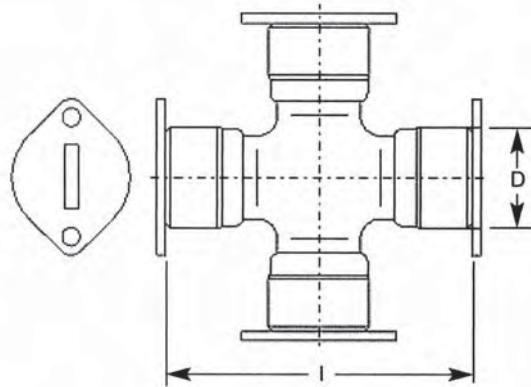
**Combination Type**

| Part No. | Cap Dim |       | Yoke Span    |       |       |       | Grease fitting in | G/F Type       | Note                            | Combination         |
|----------|---------|-------|--------------|-------|-------|-------|-------------------|----------------|---------------------------------|---------------------|
|          | D       | D'    | O            | O'    | I     | I'    |                   |                |                                 |                     |
| 240-0840 | 0.938   | 0.970 | ---          | ---   | 1.444 | 1.485 | center of cross   | Angled         | 4 Grooved Bearings              | 210-0170 x 250-0600 |
| 250-0276 | 0.945   | 0.866 | 2.413        | 2.992 | ---   | ---   | center of cross   | Angled         | 4 Plain Bearings                | ---                 |
| 210-2140 | 1.000   | 1.063 | 3.122        | 3.217 | 2.339 | ---   | Cross             | Regular        | 2 Plain & 2 Grooved             | 210-2011 x 210-0153 |
| 210-2173 | 1.000   | 1.125 | 3.217        | 3.122 | 2.339 | 2.339 | Cross             | Regular        | 2 Plain & 2 Grooved             | 210-2011 x 210-1201 |
| 210-0134 | 1.063   | 1.063 | 3.622        | 3.217 | ---   | ---   | Cross             | Regular        | 4 Plain Bearings                | 210-0213 x 210-0153 |
| 214-0134 | 1.063   | 1.063 | 3.622        | 3.217 | ---   | ---   | No                | No             | 4 Plain Bearings                | 210-0213 x 210-0153 |
| 210-1208 | 1.063   | 1.063 | 3.213        | ---   | 2.209 | ---   | Cross             | Regular        | 2 Plain & 2 Grooved             | ---                 |
| 210-1200 | 1.063   | 1.063 | 3.217        | 3.217 | 2.350 | 2.350 | Cross             | Mid long       | 4 outside & 4 inside snap rings | 210-0153 x 210-1200 |
| 214-1200 | 1.063   | 1.063 | 3.217        | ---   | 2.350 | ---   | No                | No             | 2 outside & 2 inside snap rings | 210-0153 x 210-1200 |
| 210-1203 | 1.063   | 1.063 | 3.622        | ---   | 2.781 | ---   | Cross             | Regular        | 4 inside & 2 outside snap rings | 210-0213 x 210-1203 |
| 214-1203 | 1.063   | 1.063 | 3.622        | ---   | 2.781 | ---   | No                | No             | 2 outside & 2 inside snap rings | 210-0213 x 210-1203 |
| 215-1203 | 1.063   | 1.063 | 3.622        | ---   | 2.781 | ---   | Cross             | Regular        | 2 outside & 2 inside snap rings | 210-0213 x 210-1203 |
| 215-0354 | 1.063   | 1.063 | 3.622        | ---   | 2.781 | ---   | Cross             | Regular        | 2 outside & 2 inside snap rings | 210-0213 x 210-1203 |
| 210-0456 | 1.063   | 1.063 | 2.437        | ---   | 1.641 | ---   | No                | No             | 2 Plain & 2 Grooved             | 210-0443 x 210-0456 |
| 215-0456 | 1.063   | 1.063 | 2.437        | ---   | 1.641 | ---   | No                | No             | 2 Plain & 2 Grooved             | 210-0443 x 210-0456 |
| 210-1202 | 1.063   | 1.063 | 3.219        | 3.622 | 2.380 | 2.781 | Cross             | Regular        | 2 Plain & 2 Grooved             | 210-1203 x 210-1200 |
| 215-0352 | 1.063   | 1.063 | 3.219        | 3.622 | 2.380 | ---   | Cross             | Regular        | 2 Plain & 2 Grooved             | 210-1203 x 210-1200 |
| 210-0248 | 1.063   | 1.000 | 2.441        | ---   | 1.715 | ---   | center of cross   | Angled         | 2 Plain & 2 Grooved             | 210-0443 x 210-0105 |
| 240-0353 | 1.063   | 1.078 | 3.218        | ---   | 2.380 | 2.122 | Cross             | Regular        | 2 Plain & 2 Grooved             | 210-1306 x 210-0153 |
| 240-0457 | 1.063   | 1.078 | 3.622        | ---   | 2.125 | ---   | Cross             | Regular        | 2 Plain & 2 Grooved             | 210-1306 x 210-0213 |
| 210-1201 | 1.063   | 1.125 | 3.217        | ---   | 2.350 | ---   | Cross             | Mid long       | 2 Plain & 2 Grooved             | ---                 |
| 214-1201 | 1.063   | 1.125 | 3.217        | ---   | 2.350 | ---   | No                | No             | 2 Plain & 2 Grooved             | ---                 |
| 210-2530 | 1.063   | 1.125 | 3.218        | ---   | 2.125 | ---   | end of cap        | Regular        | 2 Plain & 2 Grooved             | 210-2500 x 210-0153 |
| 240-0356 | 1.063   | 1.125 | 3.218        | ---   | 2.380 | 2.556 | Cross             | Regular        | 2 Plain & 2 Grooved             | 210-0153 x 210-3105 |
| 240-0354 | 1.063   | 1.125 | 3.218        | ---   | 2.625 | ---   | Cross             | Regular        | 2 Plain & 2 Grooved             | 210-1309 x 210-0153 |
| 240-0359 | 1.063   | 1.125 | 3.619        | ---   | 2.780 | 2.621 | Cross             | Regular        | 2 Plain & 2 Grooved             | 210-1203 x 210-1309 |
| 215-0458 | 1.063   | 1.125 | 3.619        | ---   | 2.780 | 2.621 | Cross             | Regular        | 2 Plain & 2 Grooved             | 210-1203 x 210-1309 |
| 240-0231 | 1.063   | 1.125 | 3.622        | ---   | 2.559 | ---   | Cross             | Regular        | 2 Plain & 2 Grooved             | 210-0213 x 210-3105 |
| 215-4009 | 1.063   | 1.125 | 3.622        | ---   | 2.559 | ---   | end of cap        | Flush          | 2 Plain & 2 Grooved             | 210-0213 x 210-3105 |
| 210-1204 | 1.063   | 1.125 | 3.622        | ---   | 2.772 | ---   | Cross             | Regular        | 2 Plain & 2 Grooved             | ---                 |
| 240-0358 | 1.063   | 1.188 | 3.624        | 3.219 | ---   | ---   | No                | No             | 4 Plain Bearings                | 210-0178 x 210-0153 |
| 240-0448 | 1.063   | 1.188 | 3.624        | 3.624 | ---   | ---   | Cross             | Regular        | 4 outside snap rings            | 210-0178 x 210-0213 |
| 250-0694 | 1.063   | 1.260 | 3.700(3.858) | 2.992 | ---   | ---   | Cross/Center      | Angled/Regular | 4 Plain caps w/ spacers         | ---                 |
| 240-0369 | 1.078   | 1.125 | ---          | ---   | 2.121 | 2.614 | Cross             | Regular        | 4 Grooved Bearings              | 210-1306 x 210-1309 |
| 240-0351 | 1.078   | 1.125 | 3.130        | 3.218 | 2.125 | 2.358 | Cross             | Regular        | 2 outside & 2 inside snap rings | ---                 |
| 240-1201 | 1.078   | 1.125 | 3.218        | ---   | 2.125 | ---   | Cross             | Regular        | 2 Plain & 2 Grooved             | ---                 |
| 240-0362 | 1.125   | 1.125 | 3.622        | ---   | 2.756 | 2.560 | Cross             | Regular        | 2 Plain & 2 Grooved             | ---                 |
| 240-0459 | 1.125   | 1.188 | 3.563        | ---   | 2.750 | ---   | Cross             | Regular        | 2 Plain & 2 Grooved             | 210-0178 x 210-1204 |
| 240-0447 | 1.125   | 1.188 | 3.622        | ---   | 2.563 | ---   | Cross             | Regular        | 2 Plain & 2 Grooved             | 210-0178 x 210-3105 |
| 240-1301 | 1.188   | 1.231 | 4.187        | ---   | 3.000 | ---   | Cross             | Regular        | 2 Plain & 2 Grooved             | 210-1301 x 210-0160 |
| 250-0906 | 1.260   | 1.420 | 3.490        | 4.170 | ---   | ---   | Cross             | Regular        | 4 Plain Bearings                | ---                 |



**2 Plate & 2 Plain**

| Part No. | Cap Dim. |       | Yoke Span |       | Grease fitting in | G/F Type | Note              |
|----------|----------|-------|-----------|-------|-------------------|----------|-------------------|
|          | D        | D'    | O         | O'    |                   |          |                   |
| 230-0558 | 1.875    | 1.875 | 5.312     | 5.312 | Cross             | Regular  | 2 Grease Fittings |
| 230-0674 | 1.875    | 1.875 | 5.312     | 5.312 | Cross             | Regular  | w/ strap kit      |
| 230-0560 | 1.938    | 1.938 | 6.094     | 6.187 | Cross             | Regular  | 2 Grease Fittings |
| 230-0675 | 1.938    | 1.938 | 6.094     | 6.187 | Cross             | Regular  | w/ strap kit      |
| 230-0814 | 1.938    | 1.938 | 7.000     | 7.093 | Cross             | Regular  | 2 Grease Fittings |
| 230-0677 | 1.938    | 1.938 | 7.000     | 7.093 | Cross             | Regular  | w/ strap kit      |
| 230-0562 | 1.938    | 1.938 | 7.550     | 7.642 | Cross             | Regular  | 2 Grease Fittings |
| 230-0676 | 1.938    | 1.938 | 7.550     | 7.642 | Cross             | Regular  | w/ strap kit      |



**4 Plate**

| Part No. | Cap Dim. | Yoke Span | Grease fitting in | G/F Type | Note              |
|----------|----------|-----------|-------------------|----------|-------------------|
|          | D        | I         |                   |          |                   |
| 230-0115 | 1.561    | 4.563     | Cross             | Regular  | ---               |
| 230-0900 | 1.812    | 5.937     | Cross             | Regular  | ---               |
| 230-0279 | 1.875    | 5.307     | Cross             | Regular  | 2 Grease Fittings |
| 230-0280 | 1.937    | 6.089     | Cross             | Regular  | 2 Grease Fittings |
| 230-0407 | 1.937    | 7.000     | Cross             | Regular  | 2 Grease Fittings |
| 230-0281 | 1.937    | 7.550     | Cross             | Regular  | 2 Grease Fittings |
| 230-0308 | 2.185    | 8.094     | Cross             | Regular  | ---               |
| 230-0124 | 2.323    | 6.592     | Cross             | Regular  | ---               |